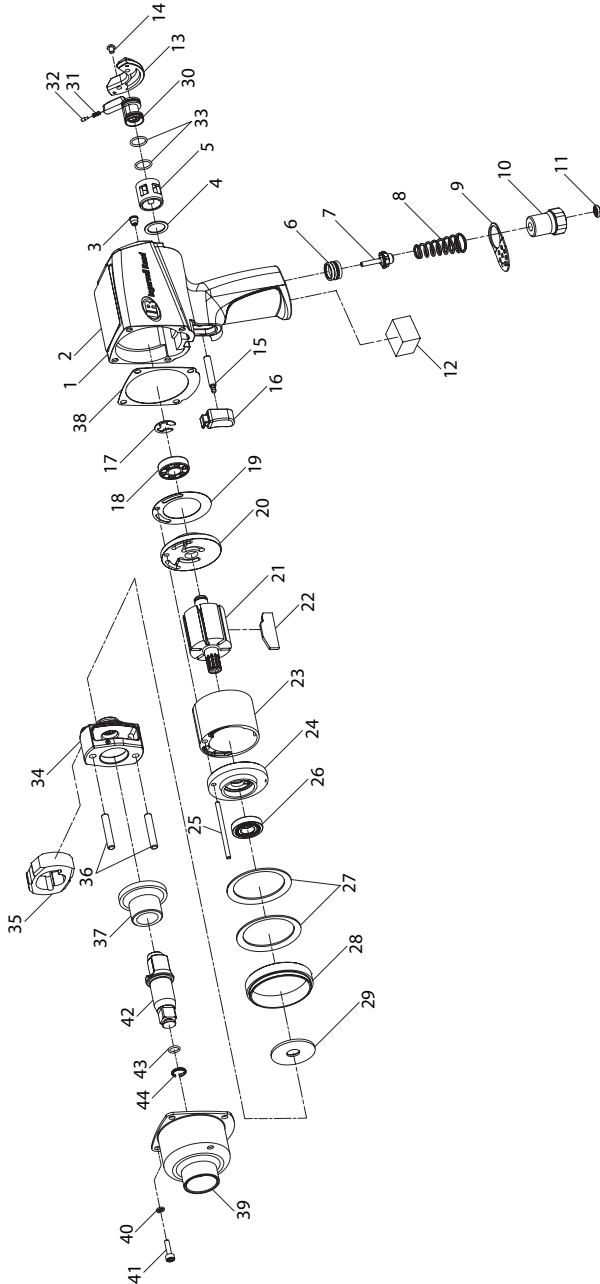


236 Air Impact Wrench Exploded Diagram



(Dwg. 80202211)



80202989
Edition 2
May 2009

236 Air Impact Wrench Parts List

Item	Part Description	Part Number	Item	Part Description	Part Number
	Housing Assy	236-A40	25	Cylinder Dowel	230-98
1	Housing	---	26	Front Rotor Bearing	4U-97
2	Nameplate/Warning Label	236-301	27	Motor Clamp Washer (2)	227-207
3	Grease Fitting	131-188	28	Hammer Case Pilot	236-800
4	Reverse Bushing Seal	---	29	Rear Frame Washer	231-706
5	Reverse Valve Bushing	---		Reverse Valve Kit	236-A329
6	Valve Seat	---	30	Reverse Valve	---
7	Throttle Valve	131-50	31	Spring	---
8	Valve Spring	131-51	32	Detent Retainer	---
9	Exhaust Deflector	236-23	33	Reverse Valve Seal (2)	---
10	Inlet Bushing Assy	131-565	34	Hammer Frame	236-703
11	Inlet Screen	---	35	Hammer	231XP-724
12	Exhaust Silencer	235-311	36	Hammer Pin (2)	2903P-704
	Exhaust Valve Retainer Kit	236-A119		Hammer Case Kit	236-K727
13	Reverse Valve Retainer	---	37	Hammer Case Bushing	---
14	Reverse Valve Screw (2)	---	38	Hammer Case Gasket	---
	Trigger Assembly	236-A93		Hammer Case	---
15	Trigger Shaft	---	40	Lock Washer (4)	---
16	Trigger	---	41	Hammer Case Screw (4)	---
17	Bearing Retainer	131-118		Anvil Assembly	236-A626
18	Rear Rotor Bearing	402-22	42	Anvil	---
19	End Plate Gasket	PF800-283		Socket Retainer Kit	2125QTi-K425
20	Rear End Plate	231-12	43	O-ring	---
21	Rotor	231-53	44	Socket retainer Spring	---
22	Vane Pack (set of 6)	2131-42A-6		Tune Up Kit	236-TK1
23	Cylinder	407-3		Contains Items 7, 12, 17, 18, 19, 22, 26 and 38	
24	Front End Plate	231-11			

Parts and Maintenance

When the life of the tool has expired, it is recommended that the tool be disassembled, degreased and parts be separated by material so that they can be recycled.

Tool repair and maintenance should only be carried out by an authorized Service Center.

Refer all communications to the nearest **Ingersoll Rand** Office or Distributor.

Related Documentation

For additional information refer to:

Air Impact Wrench Product Safety Information Manual 04580916.

Air Impact Wrench Product Information Manual 80198336.

Manuals can be downloaded from www.irtools.com.